

NOTE : ALL BITUMINOUS PLANT MIX AND METHOD OF PLACEMENT SHALL COMPLY WITH SECTION 610 OF N.C. DOT STANDARD SPECIFICATIONS.

ST-1

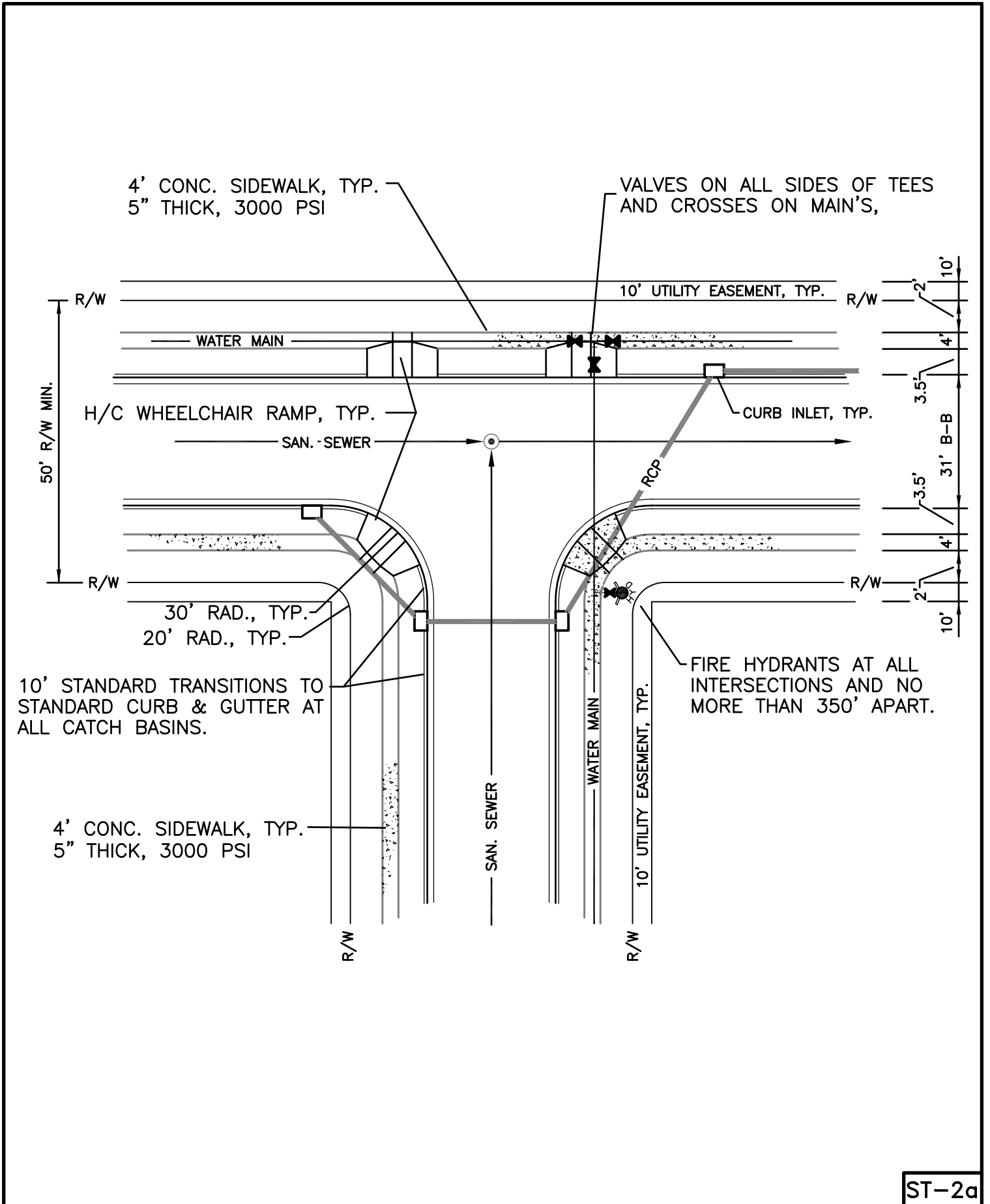
CITY OF MEBANE
STANDARD

RESIDENTIAL STREET SECTION

SCALE : N.T.S.

DATE : 3/13/02

DRAWN BY: MHW



CITY OF MEBANE STANDARD

GENERAL SUBDIVISION REQUIREMENTS FOR ROADWAYS AND UTILITIES

SCALE : N.T.S. DATE : 3/13/02 DRAWN BY: MHW

NOTES :

1.) UTILITY LOCATIONS

- WATER LINE UNDER THE SIDEWALK
- SEWER LINE MIDDLE OF STREET
- NATURAL GAS BETWEEN SIDEWALK AND CURB AND GUTTER
- ELECTRIC UNDERGROUND IN 10' UTILITY EASEMENT
- TELEPHONE IN 10' UTILITY EASEMENT
- CABLEVISION IN RIGHT OF WAY BEHIND SIDEWALK

2.) WATER AND SEWER IMPROVEMENTS

- ALL WATER LINES ARE TO BE A MIN. OF 8" IN SIZE EXCEPT FOR CUL-DE-SACS WHERE 6" IS ALLOWED WHEN LESS THAN 600 FT. AND 4" IS ALLOWED WHEN LESS THAN 400 FT.
- WATER MAIN IS TO BE DUCTILE IRON PIPE CLASS 50
- SEWER MAINS ARE TO BE A MIN. OF 8" IN SIZE
- SEWER MAINS ARE TO BE VITRIFIED CLAY PIPE.
- FOR RESIDENTIAL USES, PVC SDR-35 CAN BE USED AS APPROVED BY THE PUBLIC WORKS DIRECTOR

3.) STORM DRAINAGE

- ALL STORM DRAINS ARE TO BE A MIN. OF 15 INCH IN SIZE
- MATERIALS ARE TO BE REINFORCED CONCRETE PIPE EXCEPT WHEN LARGER THAN 72 INCH. ALTERNATIVE PIPE MATERIAL MAY BE USED AS APPROVED BY THE PUBLIC WORKS DIRECTOR
- CURB INLETS TO BE LOCATED WHERE NO MORE THAN 1.0 ACRE OF DRAINAGE CONTRIBUTES TO ANY INLET EXCEPT IN SAGS WHERE 6' WIDE BASINS CAN BE USED WHICH WILL BE ALLOWED TO DRAIN 1.5 ACRE SUB-BASINS.

4.) CONCRETE SIDEWALKS

- 3,000 P.S.I.
- 4' WIDE AND 5" THICK
- SEE CURRENT CITY REQUIREMENTS

5.) OTHER

- ANY CHANGES TO THE GENERAL REQUIREMENTS SHALL BE PRE-APPROVED BY THE PUBLIC WORKS DIRECTOR
- CITY OF MEBANE STANDARD SPECIFICATIONS AND DETAILS ARE TO BE USED
- NO BURNING ALLOWED INSIDE THE CITY OF MEBANE

ST-2b

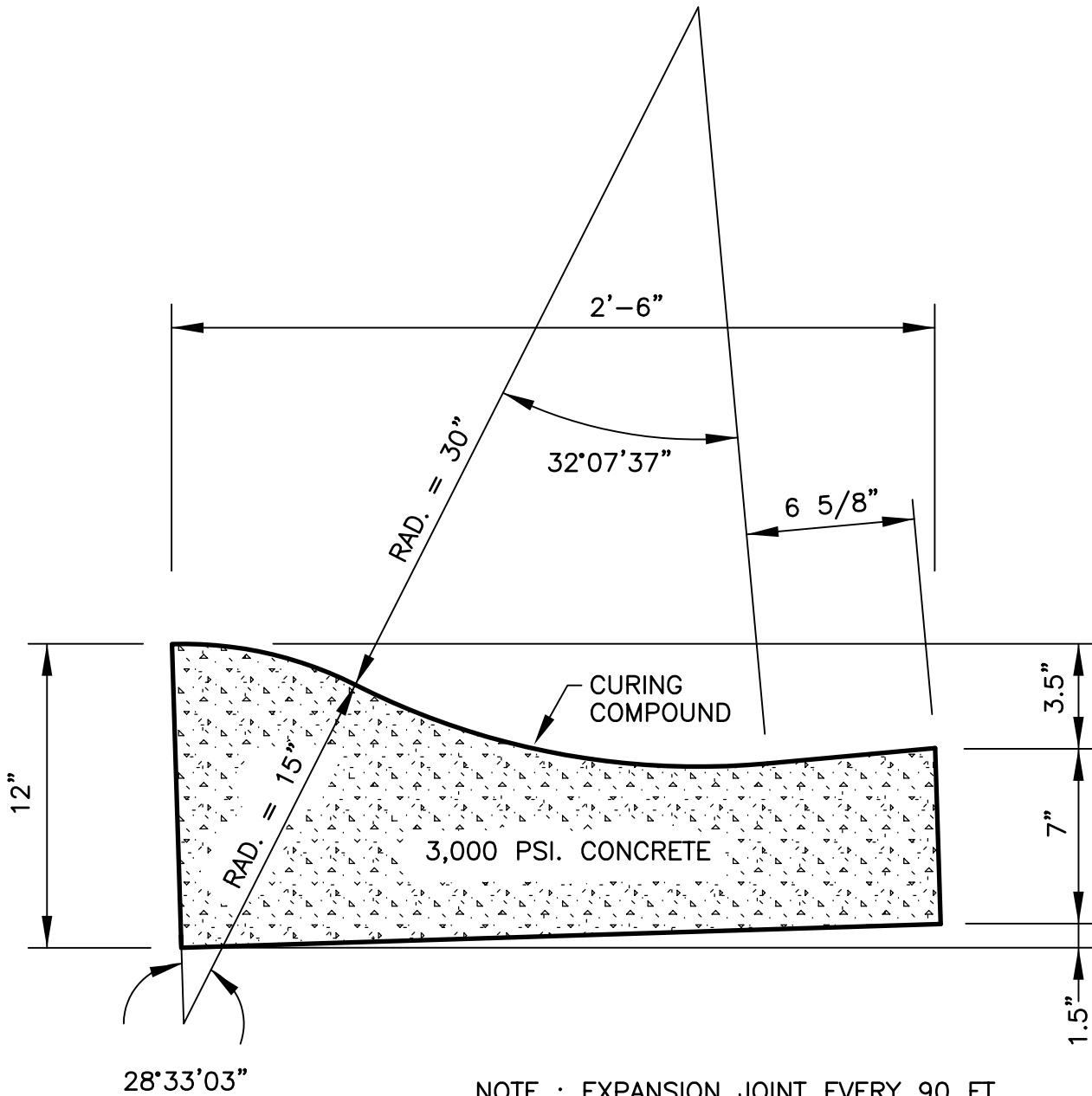
**CITY OF MEBANE
STANDARD**

**GENERAL SUBDIVISION REQUIREMENTS
FOR ROADWAYS AND UTILITIES**

SCALE : N.T.S.

DATE : 01/01/05

DRAWN BY: MHW



NOTE : EXPANSION JOINT EVERY 90 FT.
 CONTRACTION JOINT EVERY 10 FT.

ST-3

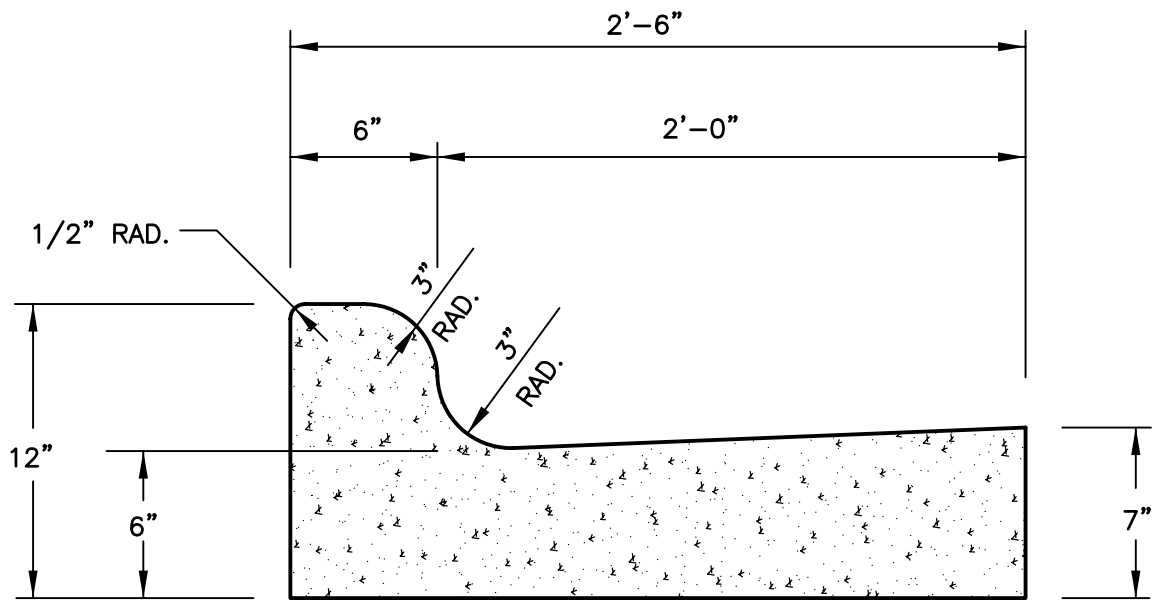
CITY OF MEBANE
 STANDARD

30" ROLLED CURB

SCALE : N.T.S.

DATE : 3/13/02

DRAWN BY: MHW



3,000 PSI CONCRETE CURB
 EXPANSION JOINT EVERY 90'
 CONTRACTION JOINT EVERY 10'

ST-4

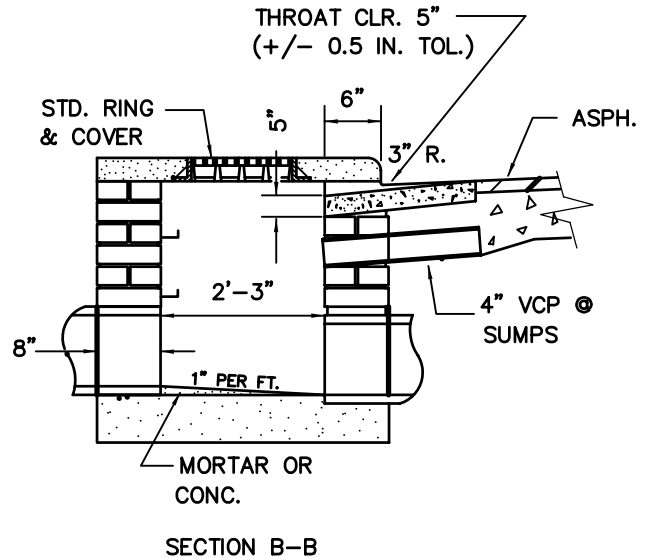
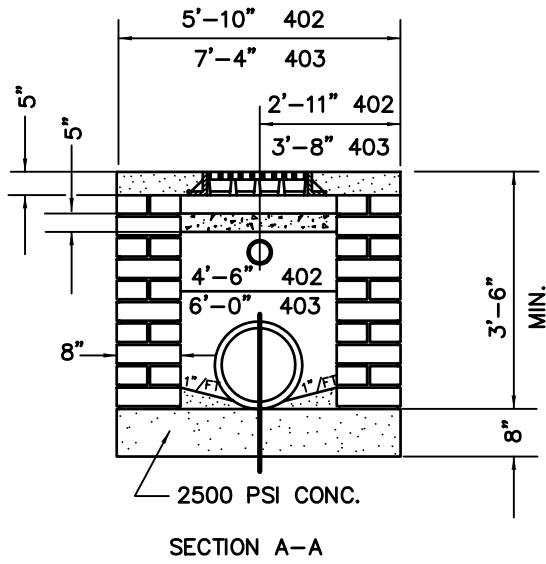
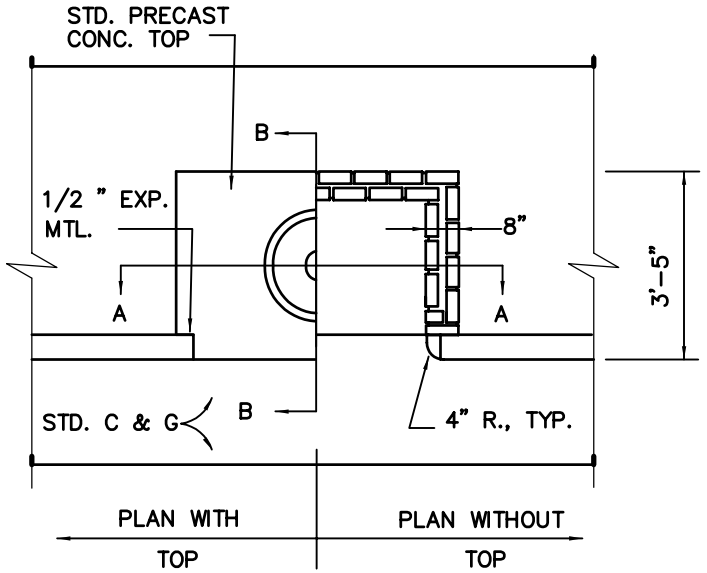
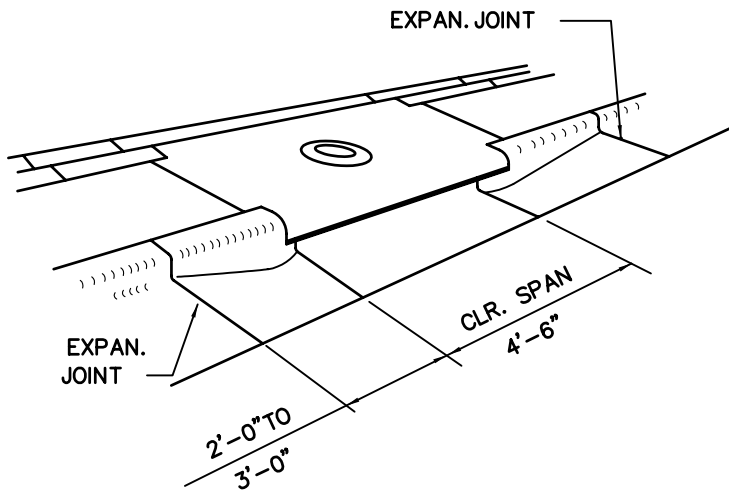
CITY OF MEBANE
 STANDARD

30" STANDARD CURB

SCALE : N.T.S.

DATE : 3/13/02

DRAWN BY: MHW



NOTES:

ALL MORTAR JOINTS ARE TO BE 1/2" | 1/8"

BRICK MASONRY CAN BE STANDARD CLAY BRICK, JUMBO BRICK, OR CONC. BRICK

FOR DEPTHS OVER 4'-0" USE STEPS ON 1'-3" CENTERS.

STANDARD BRICK MASONRY CURB INLET

C.O.M. STD.#402
C.O.M. STD.#403

ST-5

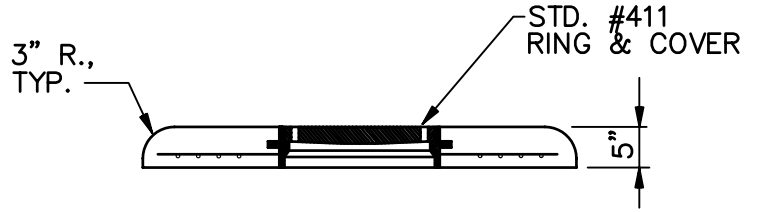
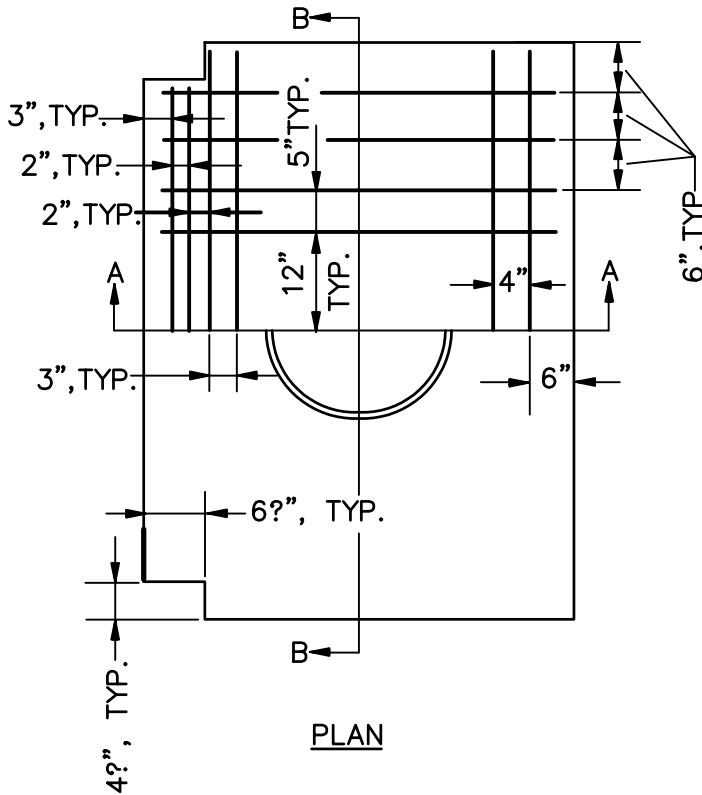
**CITY OF MEBANE
STANDARD**

**CURB INLET
DETAILS (402 & 403)**

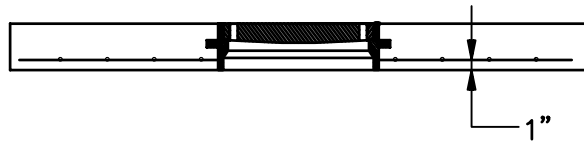
SCALE : N.T.S.

DATE : 3/13/02

DRAWN BY: MHW



SECTION A-A



SECTION B-B

STD. 402 INLET TOP REQUIRES 4, #4 BARS IN STREET FACE.

STD. 403 INLET TOP REQUIRES 4, #5 BARS IN STREET FACE.

ALL OTHER REINFORCING STEEL IS #4 BARS.

STANDARD PRECAST CONCRETE CURB INLET TOP

C.O.M. STD.#412

ST-6

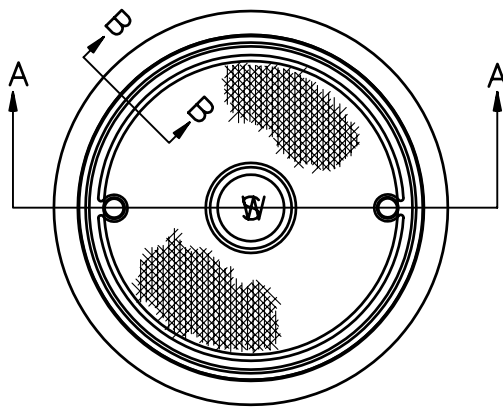
CITY OF MEBANE
STANDARD

CURB INLET TOP
DETAIL (412)

SCALE : N.T.S.

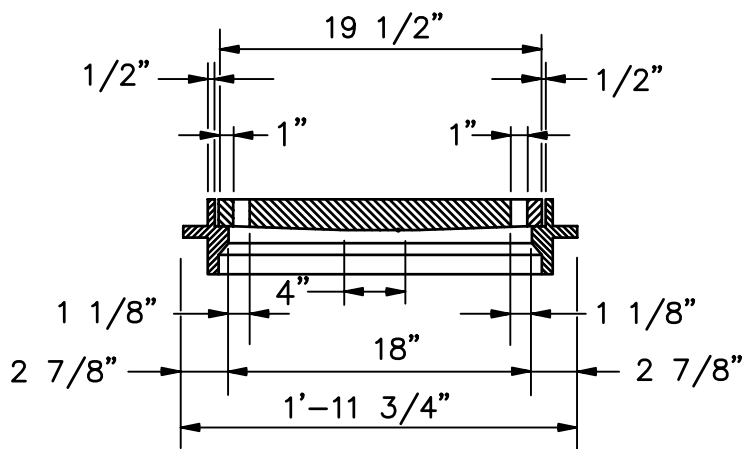
DATE : 3/13/02

DRAWN BY: MHW

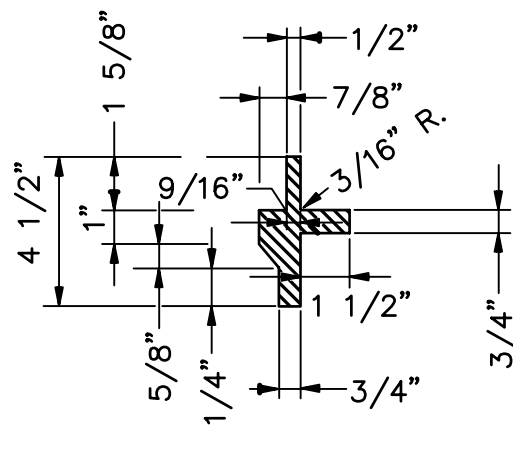


RING - 70 LBS.
COVER - 118 LBS.

PLAN



SECTION A-A



SECTION B-B

STANDARD INLET RING & COVER

C.O.M. STD.#411

ST-7

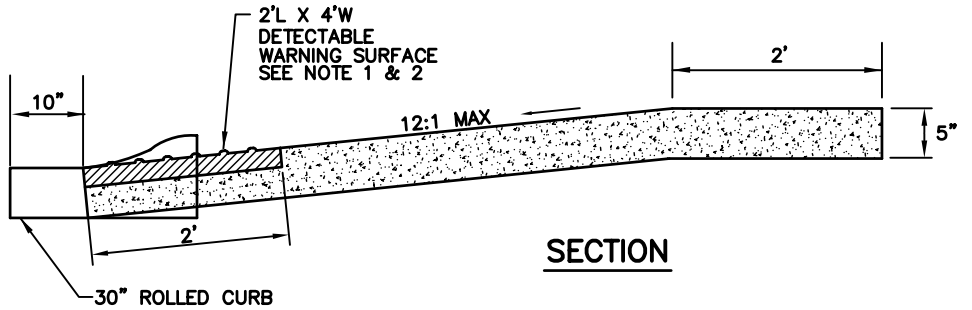
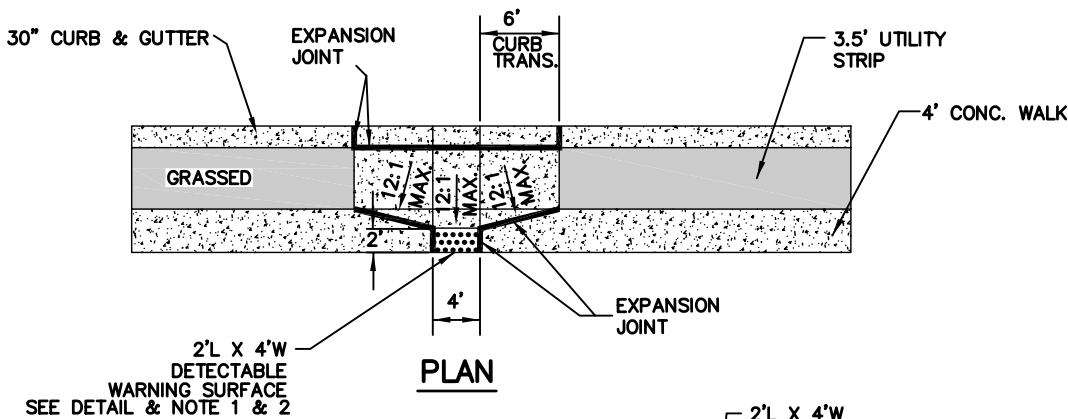
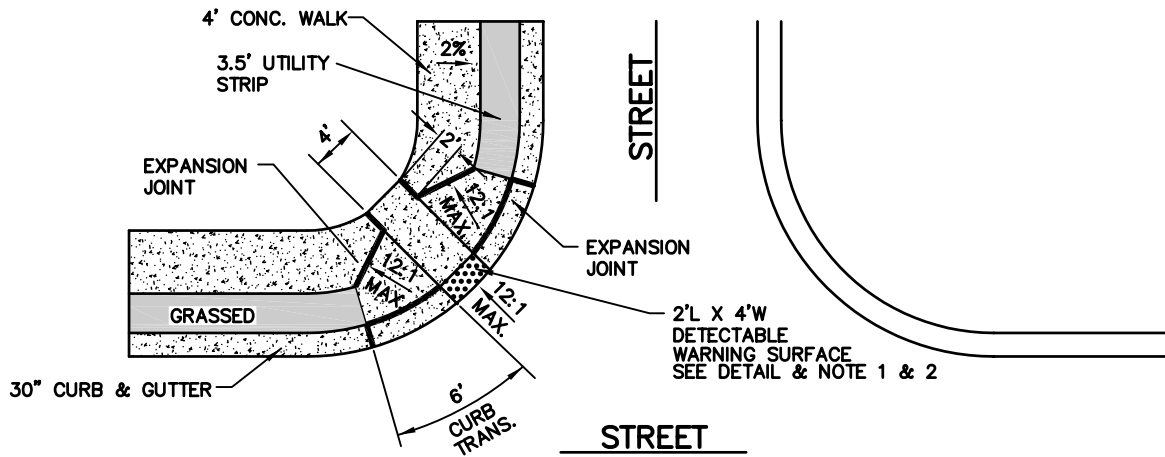
CITY OF MEBANE
STANDARD

INLET RING & COVER
DETAIL (411)

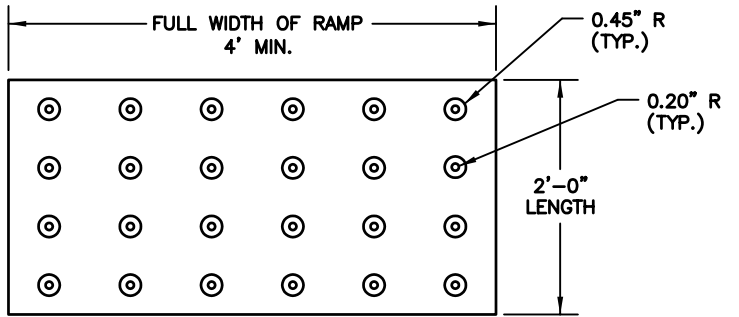
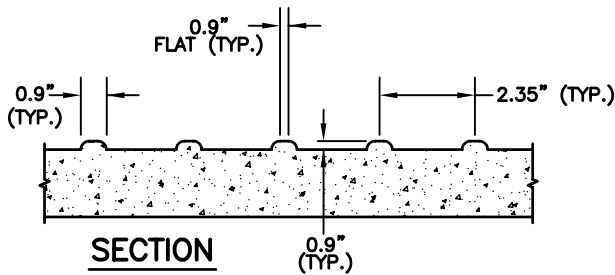
SCALE : N.T.S.

DATE : 3/13/02

DRAWN BY: MHW



1. DETECTABLE WARNING DOMES SHALL COVER 2'-0" LENGTH AND FULL WIDTH OF THE RAMP FLOOR AS SHOWN ON THE DETAILS.
2. THE RAMP MAY BE YELLOW IN COLOR OR ANY COLOR WITH A 70% CONTRAST RATIO.



DETECTABLE WARNING DOMES DETAIL

PLAN

ST-8

CITY OF MEBANE STANDARD

HANDICAP WHEELCHAIR RAMP

SCALE : N.T.S.

DATE : 04/28/06

JOB NO. : MHW

UPON COMPLETION AND ACCEPTANCE OF THE IMPROVEMENTS OUTLINED IN THE PHASING PROGRAM, THE ENTIRE AREA DISTURBED BY PROJECT CONSTRUCTION SHALL BE PROVIDED WITH A PERMANENT VEGETATIVE COVER. THE DISTURBED AREAS SHALL BE FINELY TILLED BY HARROWING. WHERE SOIL CONDITIONS ARE UNFAVORABLE FOR SUCCESSFUL ESTABLISHMENT OF COVER, AVAILABLE TOPSOIL SHALL BE SPREAD. DOLOMITIC LIMESTONE SHALL BE APPLIED AT THE RATE OF 4,000 LBS. PER ACRE AND A 10-10-10 COMMERCIAL FERTILIZER MIX SHALL BE APPLIED AT A RATE OF 1000 LBS., PER ACRE TO THE DISTURBED AREA. IT SHALL BE UNIFORMLY APPLIED TO DISTURBED AREAS ACCORDING TO THE FOLLOWING SCHEDULE BY BROADCASTING WITH A CYCLONE SEEDER OR CLOSE DRILL. SEED SHALL BE LIGHTLY COVERED AND SOIL SHALL BE FIRMED. STRAW MULCH SHALL BE APPLIED TO THE SEEDED AREA AT THE RATE OF 1-1/2 BALES PER 1000 SQ. FT. AND TACKED.

DATES	RATE #/ACRE
JANUARY 1 - MAY 1	
LIMESTONE	2000
FERTILIZER (10-10-10)	750
RYE (GRAIN)	120
MULCH - STRAW & TACK	4000
MAY 1 - AUGUST 15	
LIMESTONE	2000
FERTILIZER (10-10-10)	750
GERMAN MILLET	40
MULCH - STRAW & TACK	4000
AUGUST 15 - JANUARY 1	
LIMESTONE	2000
FERTILIZER (10-10-10)	1000
RYE (GRAIN)	120
MULCH - STRAW & TACK	4000

SCHEDULE FOR PROVIDING PERMANENT
VEGETATIVE COVER

DATES	RATE #/ACRE
NOVEMBER 1 - JANUARY 31	
TALL FESCUE	100
RYE	50
FEBRUARY 1 - APRIL 30	
TALL FESCUE	80
BLUEGRASS	60
MAY 1 - JULY 31	
TALL FESCUE	70
WEeping LOVEGRASS	20
AUGUST 1 - OCTOBER 31	
TALL FESCUE	100
SUDAN HYBRID	50

ST-9

**CITY OF MEBANE
STANDARD**

**PERMANENT & TEMPORARY
SEEDING SPECIFICATIONS**

SCALE : N.T.S.

DATE : 04/28/06

DRAWN BY: MHW